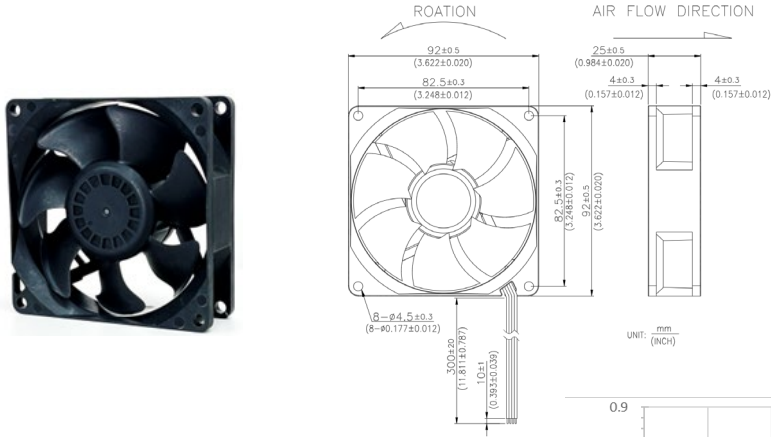
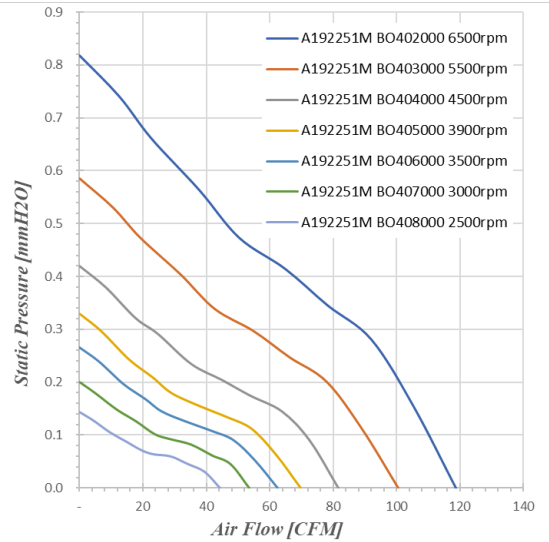


# iCOOL Fan 92\*92\*25 MM Series

## DIMENSION DRAWING



Housing : Plastic (UL 94V-0)  
 Impeller : Plastic (UL 94V-0)  
 Bearing : Ball bearing  
 Operating temp : -10 ~ 70°C  
 Mass : 103g



Product Type	Model No.		Control Type	Bearing Type	Rated Voltage	Operating Voltage Range	Operating Temp.	Speed	Input Current	Input Power	Maximum Air Flow		Maximum Air Pressure			Noise
					VDC	VDC	°C	R.P.M	Amp	Watt	CFM	m <sup>3</sup> /min	inH2O	mmH2O	Pa	dB(A)
9225 12V Series	A192251M	BO402000	+/-FG/PWM	Ball	12	7~13.8	-10~70	6500	1.46	17.5	118.7	3.36	0.82	20.8	204	57.8
	A192251M	BO403000	+/-FG/PWM	Ball	12	7~13.8	-10~70	5500	0.88	10.6	100.4	2.84	0.59	14.9	204	51.0
	A192251M	BO404000	+/-FG/PWM	Ball	12	7~13.8	-10~70	4500	0.42	5.1	81.7	2.31	0.42	10.7	204	46.5
	A192251M	BO405000	+/-FG/PWM	Ball	12	7~13.8	-10~70	3900	0.27	3.3	69.8	1.97	0.33	8.4	204	42.0
	A192251M	BO406000	+/-FG/PWM	Ball	12	7~13.8	-10~70	3500	0.20	2.4	62.6	1.77	2.75	69.8	204	38.4
	A192251M	BO407000	+/-FG/PWM	Ball	12	7~13.8	-10~70	3000	0.13	1.6	53.6	1.52	0.20	5.1	204	36.0
	A192251M	BO408000	+/-FG/PWM	Ball	12	7~13.8	-10~70	2500	0.09	1.1	44.6	1.26	0.13	3.3	204	32.0
9225 24V Series	A192252M	BO402000	+/-FG/PWM	Ball	24	14~27.6	-10~70	6500	0.73	17.5	118.7	3.36	0.82	20.8	204	57.8
	A192252M	BO403000	+/-FG/PWM	Ball	24	14~27.6	-10~70	5500	0.44	10.6	100.4	2.84	0.59	14.9	146	51.0
	A192252M	BO404000	+/-FG/PWM	Ball	24	14~27.6	-10~70	4500	0.21	5.1	81.7	2.31	0.42	10.7	104	46.5
	A192252M	BO405000	+/-FG/PWM	Ball	24	14~27.6	-10~70	3900	0.14	3.3	69.8	1.97	0.33	8.4	82	42.0
	A192252M	BO406000	+/-FG/PWM	Ball	24	14~27.6	-10~70	3500	0.10	2.4	62.6	1.77	2.75	69.8	684	38.4
	A192252M	BO407000	+/-FG/PWM	Ball	24	14~27.6	-10~70	3000	0.07	1.6	53.6	1.52	0.20	5.1	50	36.0
	A192252M	BO408000	+/-FG/PWM	Ball	24	14~27.6	-10~70	2500	0.05	1.1	44.6	1.26	0.13	3.3	33	32.0